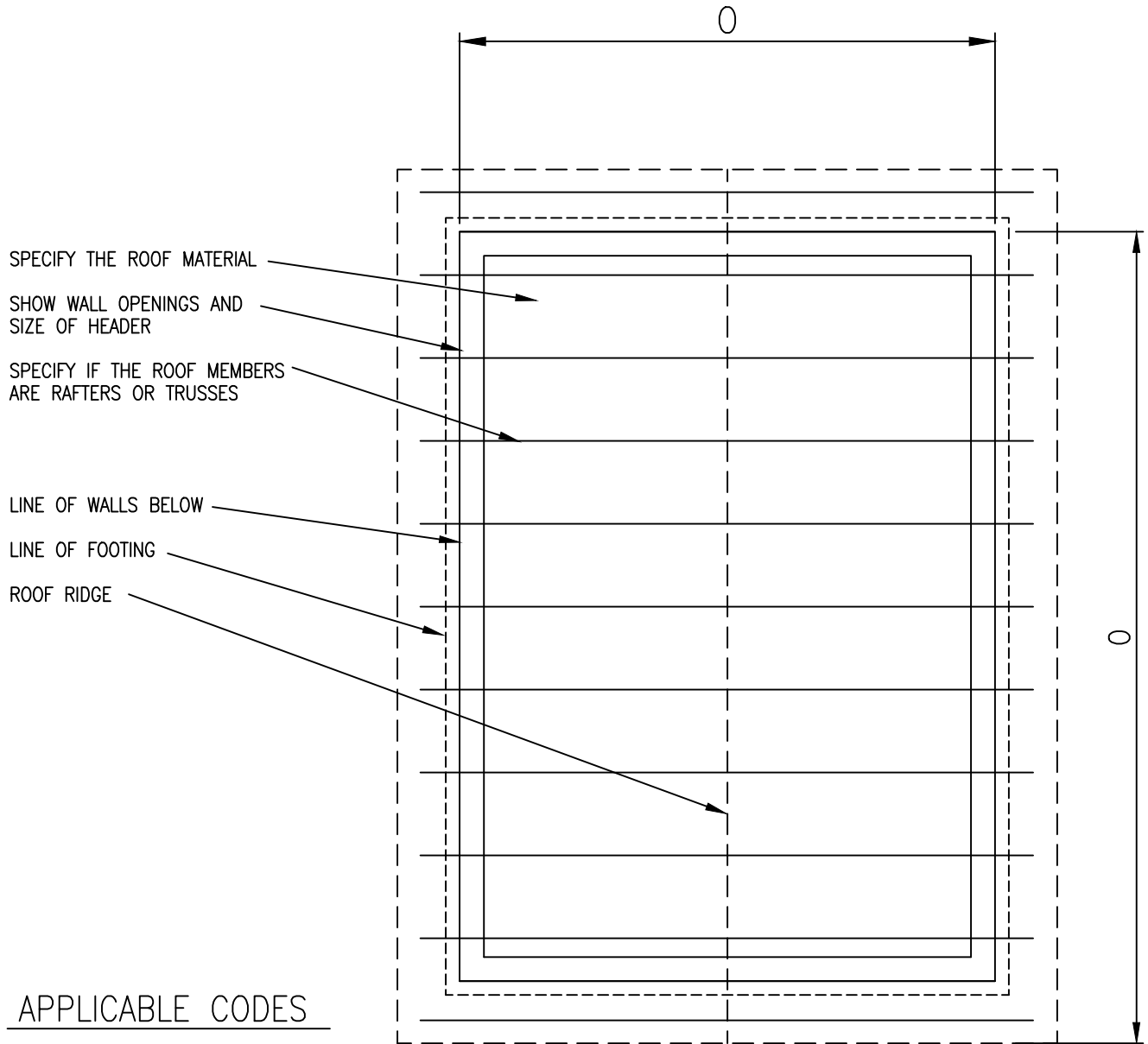


DETACHED STRUCTURE FOR THE _____ RESIDENCE



ALL CONSTRUCTION SHALL COMPLY WITH THE FOLLOWING CODES AND AMENDMENTS:
2018 IRC INTERNATIONAL RESIDENTIAL CODE
CITY OF MESA AMENDMENTS

FRAMING PLAN AND FOUNDATION PLAN

PUT DIMENSIONS AT THE CIRCLES

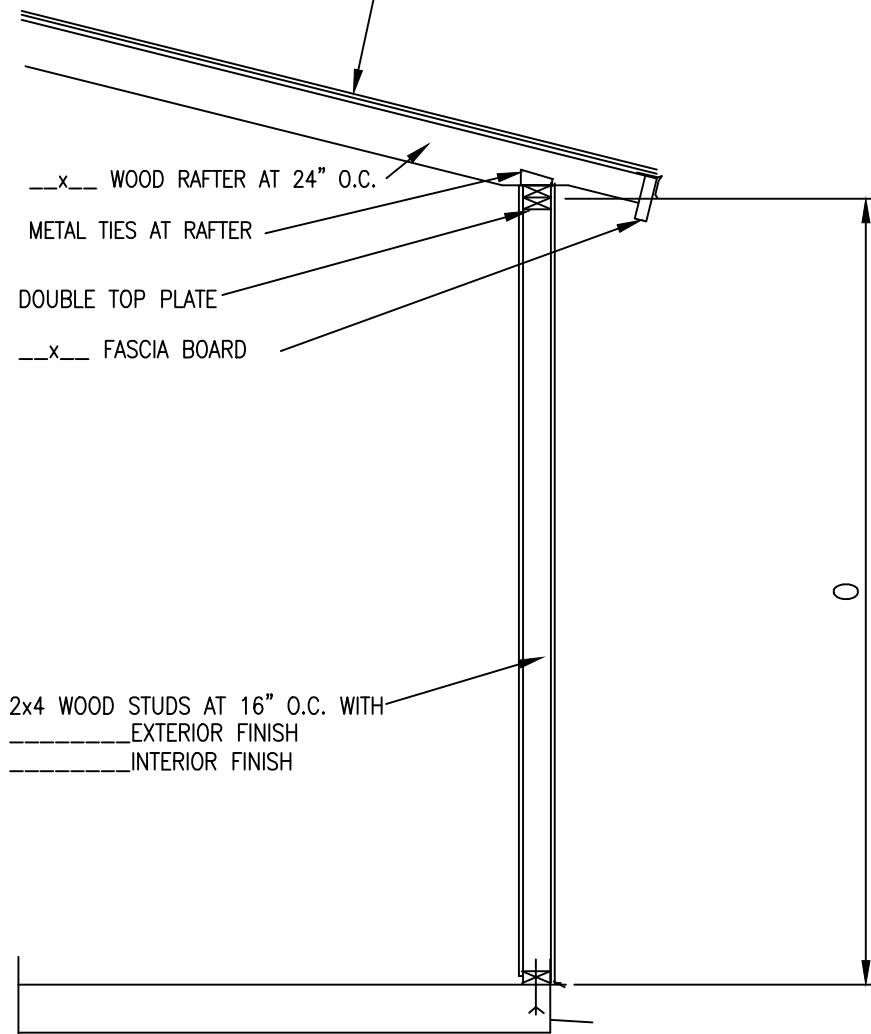
PROPERTY ADDRESS=



CITY OF MESA – FOR REFERENCE ONLY – EXAMPLE

ROOFING TYPE
SPECIFIED: _____

15 LB. VAPOR BARRIER
ON 1/2" O.S.B. ROOF SHEATHING



2x4 WOOD STUDS AT 16" O.C. WITH
----- EXTERIOR FINISH
----- INTERIOR FINISH

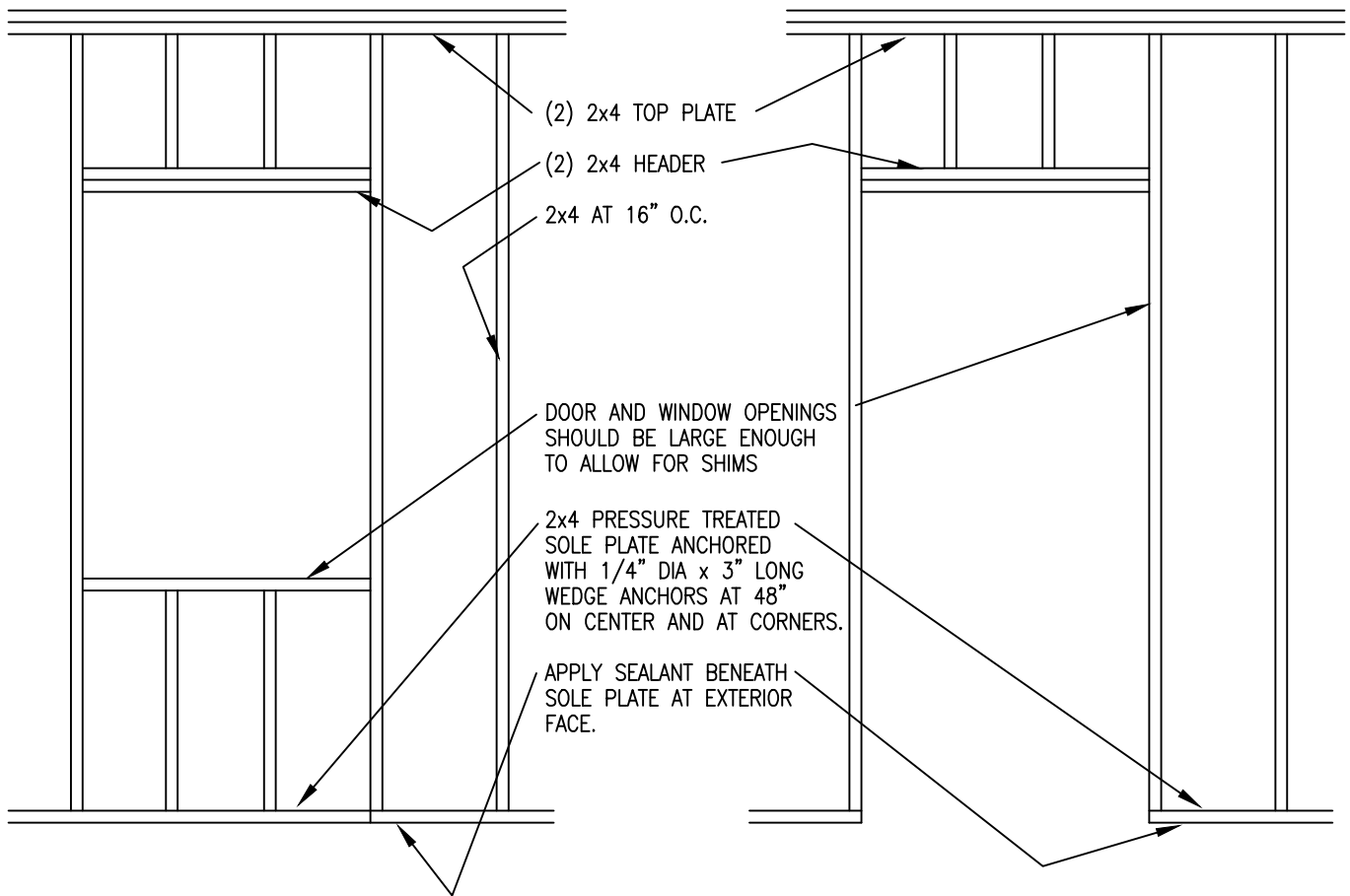
PRESSURE TREATED BOARD IN CONTACT
W/ CONC. WALL. ANCHOR WITH 1/4" DIA. 3" LONG
BOLTS AT 48" O.C. MAX. GROUT SOLID

SHED WALL

PUT DIMENSIONS AT THE CIRCLES

PROPERTY ADDRESS=

CITY OF MESA - FOR REFERENCE ONLY - EXAMPLE



SHED WINDOW FRAMING

SHED DOOR FRAMING